

Shoe Box

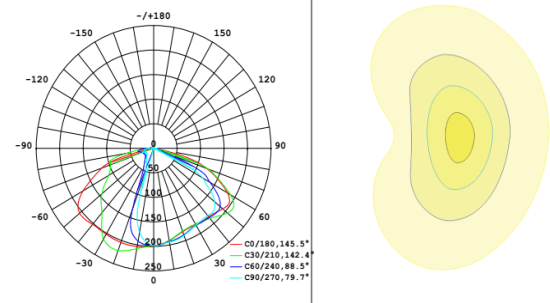
400W LED Shoe Box Light Specification



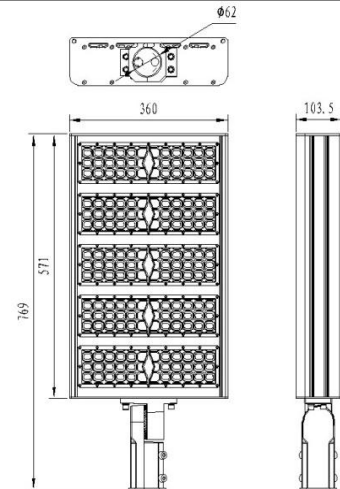
Parameters

Product Model	YSES-400
LED Chip Brand	Nichia
Light Efficiency	120lm/W
Luminous Flux	>48000lm
Color Temperature	4500 ~ 5500K(2500 ~ 5500K Optional)
Beam Angle	Type V (110*150°) ; Type III (80*150)
Total Power Consumption	400W±10W
Output Current	8.0A(constant current)
Output Voltage	DC 36 ~ 48V
Net Weight	13.5kg±0.5kg
Light Dimensions	L769mm×W360mm×H103.5mm
Light Package Dimensions	L829mm×W430mm×H163.5mm

Light Distribution



Physical Dimension



≥0.95	70 Ra	IP65	≥100000 Hours	AC 100-277V	47-63Hz
Power Factor	CRI	IP Level	TM-21(L70)	Input Voltage	Power Frequency

Others

Power Efficiency	Working Temperature (Environment)	Heat Sink Surface Temperature
≥93%	-40 ~ +55°C	59.8°C(Room Temperature 25°C)
Fixture Efficiency	Working Humidity (Environment)	Luminaire Base Temperature
≥90%	15% ~ 90%RH	91.3°C(Room Temperature 25°C)
Total Harmonic Distortion	Storing Condition	LED Power Consumption
≤15%	-40°C ~ +65°C	400W±10W

Suitable for Highway, Roadway, Streetscape, Walkway, Parking lot, Plant road and Other Lighting Purposes

Address: 45 Lexton Road, Box Hill North Vic 3129

Phone: 03 9898 5319 Fax: 039898 7614

Email: sales@seslighting.com.au Web: www.seslighting.com.au